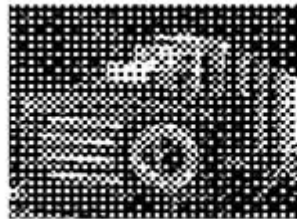


10.5" Touch Screen Android Pad Digital Camera, 8.0M



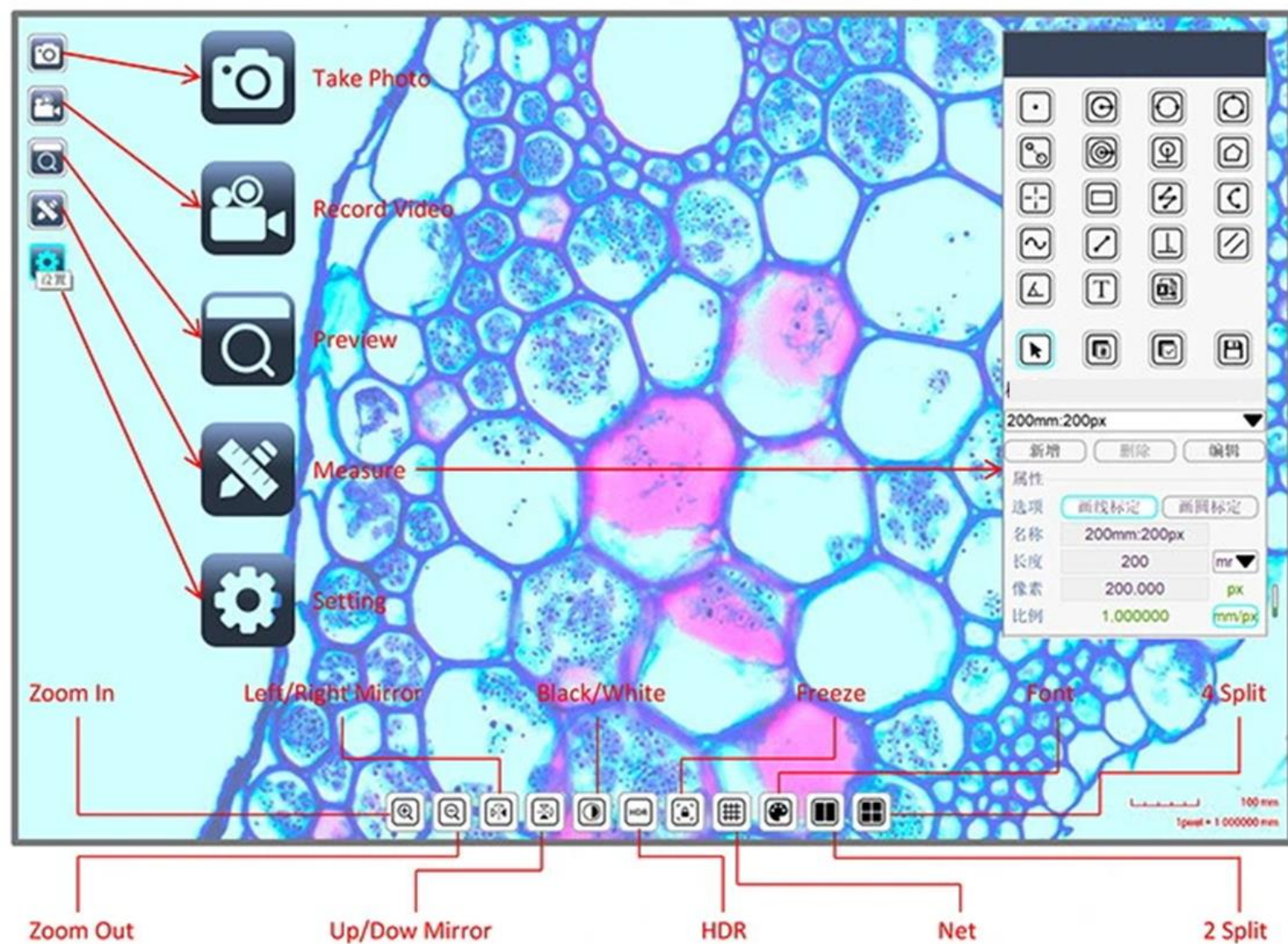
9" LCD Digital Camera, USB2.0 +Mouse Measure, 5.0M

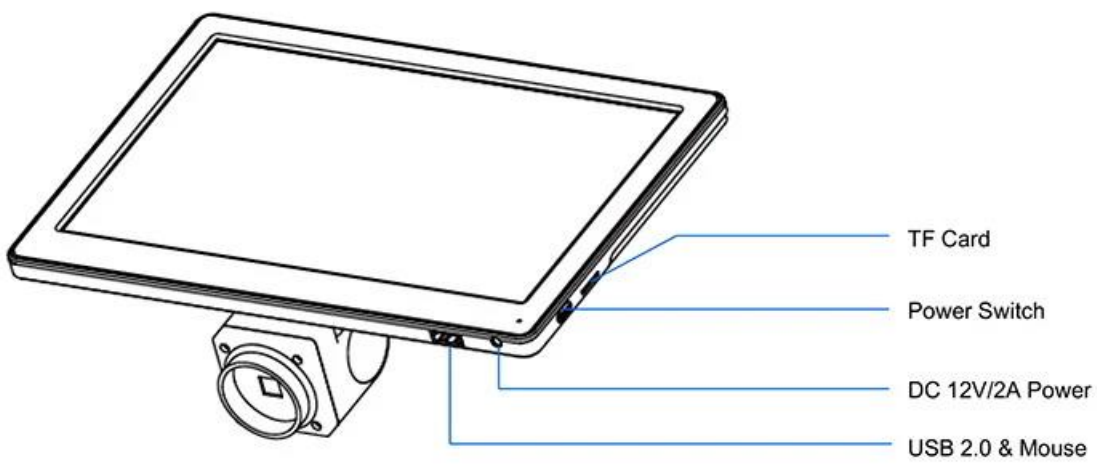
- 9" LCD Screen High Resolution 1024*600 Pixels
- 5.0M Digital Camera 1/2.8" CMOS Sony Sensor
- USB2.0 Real Time Image Output + TF Card Storage
- USB Mouse Control Menu For Measure Function
- DC12V/2A, 100~240V Power Adapter
- Warranty ONE YEAR

Product Details

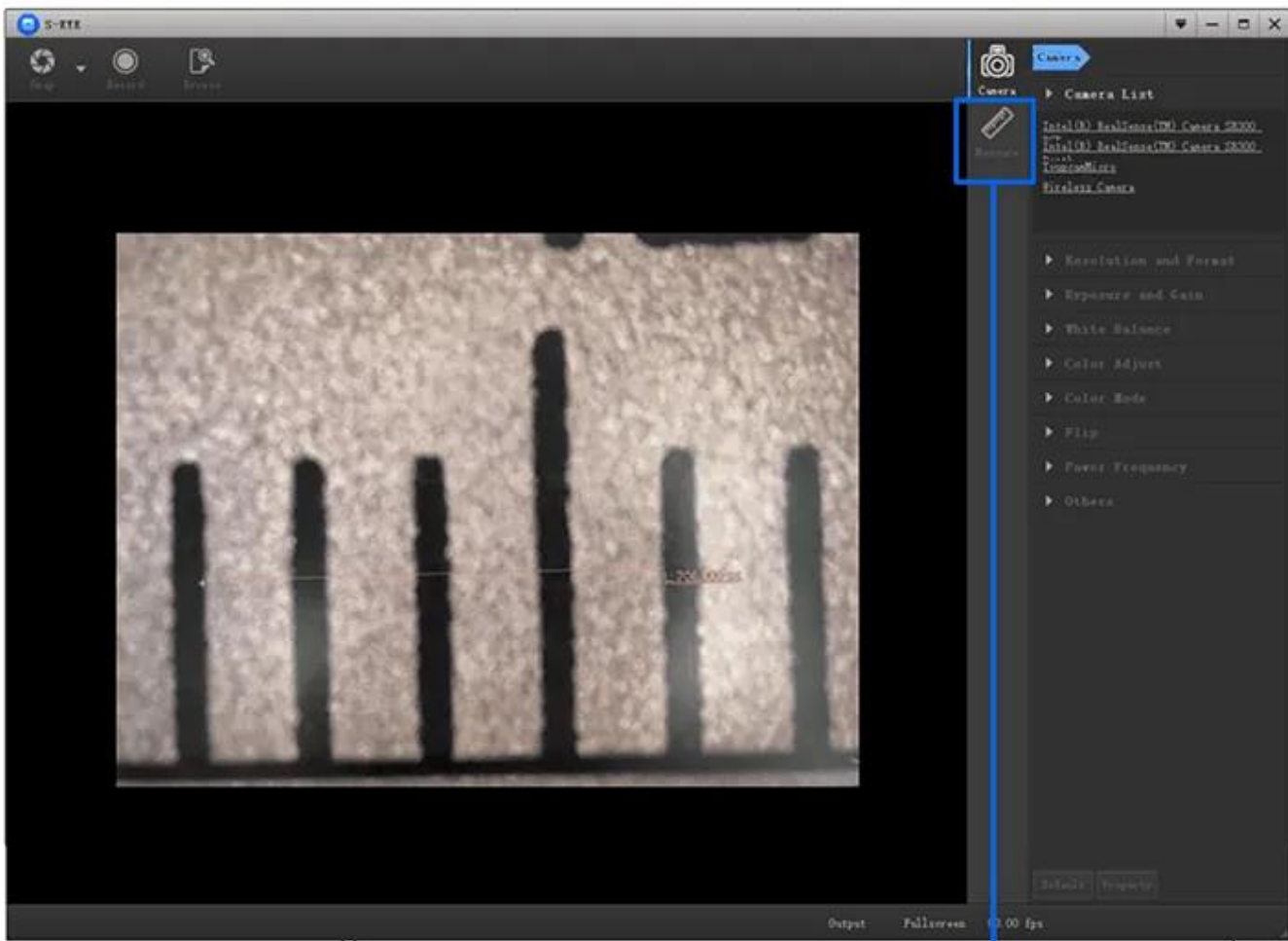


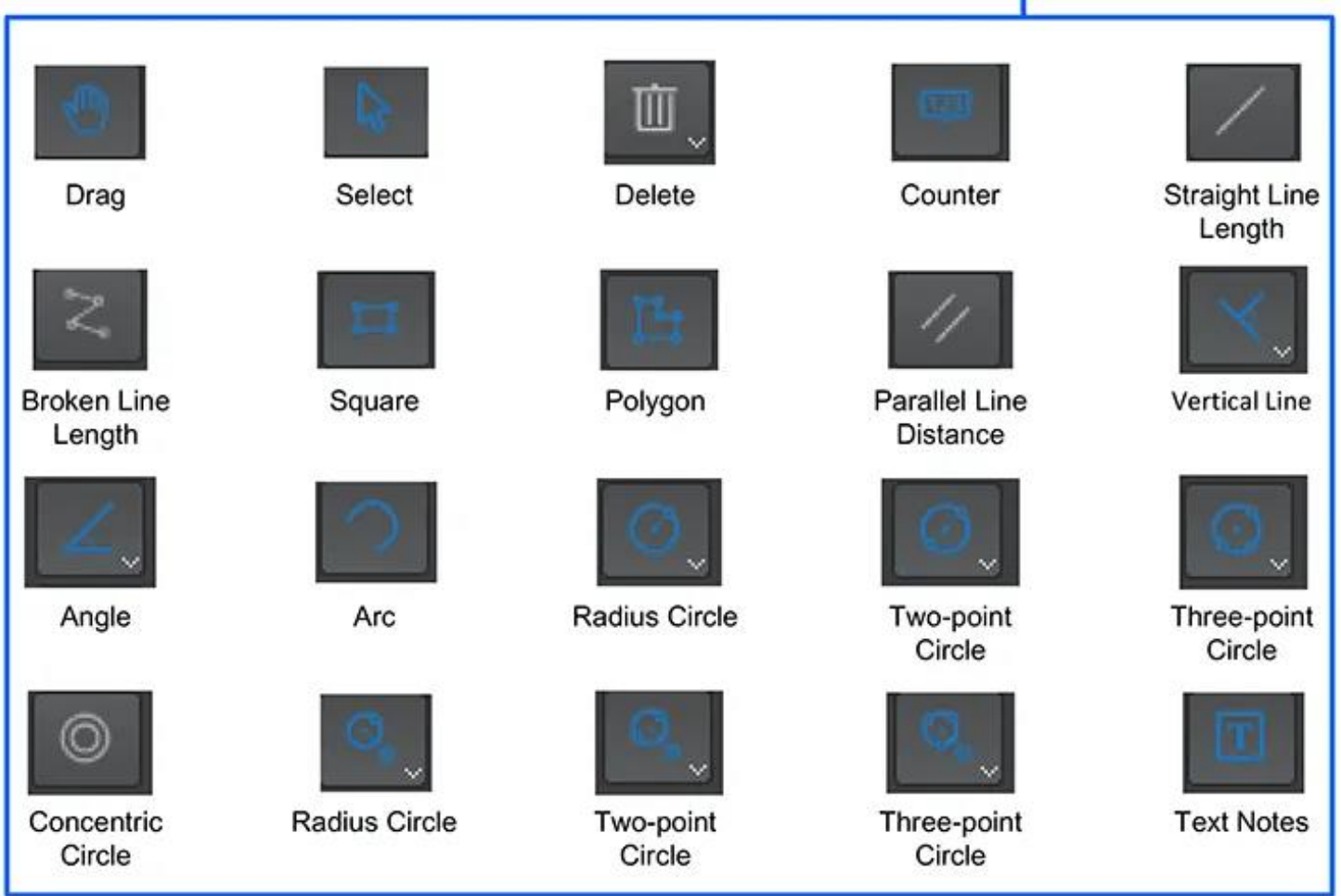
HDMI Mouse Menu





S-EYE Measure Software For Windows





Product Accessories



Technical Specifications

Model	C5S9
Items	C3509 9"LCD Digital Camera, USB + Mouse Measure, 5.0M
Sensor	1/2.8"Sony Star Light Level CMOS Sensor
Resolution	5.0M CMOS
LCD Screen	9"LCD, Resolution 1024x600 High Clearance Screen
Output	USB 2.0 Type-A, TF Card
Pixel Size	2.0x2.0um
Power Supply	DC 12V/2A Power Adapter, Input 100-240V AC
Function	Photo, Video, Measure, Compare
	Support USB Mouse Control to Capture Photo, Video, Measure, Setting
	USB 2.0 To Win 7, Win10 System, Software S-Eye Included
	Brightness, Contrast, Exposure, White Balance Adjustable
	10x Digital Zoom, 4 Split/ 2 Split Windows Image Compare
	Storage To TF Card
	Cross Line with Scale, Calibrated
	Net Line 8 Kinds, Width & Colour Adjustable
Size / Weight	Product Size 225x52x175mm, Net Weight 0.7Kg
Standard Package	LCD Camera, USB 2.0 Cable, Mouse, DC12V Power Adapter
USB Mouse Control Operation Manual	<ol style="list-style-type: none"> 1. Insert the mouse into the camera Type-A USB 2.0 port, connect 12V power supply to camera. 2. Turn on the power switch, when the camera is running, the LED light turns blue 3. Move the mouse to the top left corner of the screen to call up the MAIN MENU, including icon : Take Photo, Record Video, Preview, Measure, Setting. 4. Move the mouse to the middle position at the bottom of the screen to call up the QUICK MENU, including icon: Zoom In, Zoom Out, Up/Dow Mirror, Left/Right Mirror, Black/White, HDR, Freeze, Net, Font, 2 Split, 4 Split 5. Click the MEASURE icon to pop up the measure window, which support over 20 kinds of measurement graphics. 6. Click the EDIT button and fill in the name to of new ruler to CALIBRATE. Move the mouse to the corresponding standard scale in the image display window and draw a standard-length scale line. Then fill in the length column and click SAVE to complete the calibration setting. If you want to add more ruler, just repeat above steps. 7.Click mm/PX to open or close the screen scale. 8. If the USB port is directly connected to the computer, the screen and the computer can be displayed synchronously (the USB cable must be connected to the computer before the device is powered on)